

REQUEST FOR PROPOSAL



BURLINGTON ELECTRIC DEPARTMENT

585 Pine street
Burlington, VT 05401-4891
Phone: 802-865-7456

RFP #

087-24

DATE:

4/17/2024

REQUEST FOR QUOTATION

THIS IS AN INQUIRY,
NOT AN ORDER

PLEASE QUOTE PROMPTLY

ALL RFP'S RESPONSES ARE TO BE
UPLOADED TO OUR SECURE
WEB SITE USING YOUR UNIQUE LOGIN

DELIVERY REQUIRED BY: ASAP	QUOTATION DUE BY NLT 05/22/24 11:00am EST	REQUISITION NO:	DEPT: ENGINEERING
-------------------------------	--	-----------------	----------------------

QTY	DESCRIPTION						
2	Transformer Size (kVA):	Primary Voltage	Secondary Voltage	Description	Spec Impedance	BED Specification	Associated BED Standards
	1500	13800 Grd Y/7970	277/480V	1500KVA Three Phase, Liquid Filled, Compartmental-Type, Dead Front, Loop Feed Padmounted Transformer	5.32% - 6.18%	S0110	162201, 162202

Purchase Price Constant	Load Loss Factor (\$/Watt)	No Load Loss Factor (\$/Watt)
1.301	\$1.42	\$17.45

Loss Evaluation formula "First Cost Multiplier"

NAMEPLATE SHALL INDICATE NON-PCB

Quote both Amorphous & Steel Core... If not quoting one type please specify why!

(when order is placed approval drawings will be required but should not effect the delivery time)(XFRPAD00590) This must be on the data plate)

UNIT COST=\$ _____ DELIVERY= _____ WEEKS ARO

LOSS EVALUATION FORMULA APPLIES TO QUOTE & PURCHASE PRICE:

No load = (Avg) _____ (Max) _____ Load =(Avg) _____ (Max) _____ Total = (Avg) _____ (Max) _____

IMPEDANCE: _____ Bid will be evaluated on average values.

Please confirm freight is included in unit cost. It is **Y/N** (circle one quoted)

CERTIFIED TEST REPORTS SHALL BE emailed AT THE TIME OF SHIPMENT TO engineering@burlingtonelectric.com . PAYMENT OF THE ABOVE ITEM SHALL BE HELD UNTIL RECEIVED AND ACCEPTED BY B.E.D.

DELIVERY REQUIREMENT: SHIP FOB DESTINATION FREIGHT ALLOWED . Hours are 7:30 am to 2:30pm M-F

BED RESERVES THE RIGHT TO ACCEPT OR REJECT ANY OR ALL PROPOSALS RECEIVED IN RESPONSE TO THIS RFP OR TO TAKE OTHER ACTION CONSISTENT WITH THE BEST INTEREST OF BED. BED RESERVES THE RIGHT TO NEGOTIATE SEPARATELY WITH ANY SOURCE TO SERVE THE BEST INTEREST OF BED.

EXCEPTIONS TO THIS RFP SHALL BE SUBMITTED IN WRITING & ACCEPTED BY B.E.D. ON THE AWARDED P.O. TO BE BINDING. ALL SUBMITTED BIDS BECOME THE PROPERTY OF BURLINGTON ELECTRIC DEPARTMENT. AFTER THE AWARDING OF THE CONTRACT TO THE SUCCESSFUL BIDDER, ALL BIDS ARE OPEN FOR PUBLIC VIEWING

ALL PROPOSALS MUST BE SUBMITTED VIA THE SECURE WEB SITE. BED WILL NO LONGER ACCEPT FAXED BIDS, EMAIL OR MAILED. ALL RFQ'S MUST INCLUDE OUTLINE DRAWING SHOWING DIMENSIONS OF TRANSFORMER. IF ANY INFORMATION IS MISSING THE RFP WILL BE DEEMED INVALID AND WILL NOT BE EVALUATED

VENDOR MUST COMPLETE THIS INFORMATION

- SHIPMENT CAN BE MADE _____ DAYS FROM RECEIPT OF ORDER
- F.O.B. DESTINATION FREIGHT ALLOWED BURLINGTON ELECTRIC DEPT. DOCK.
- TERMS _____ DISCOUNT OF _____ % IF PAID NET _____ DAYS
- QUOTE VALID _____ DAYS

SIGNED _____ DATE: _____

TITLE: _____ COMPANY: _____

B.E.D. RESERVES THE RIGHT TO ACCEPT OR DECLINE ANY AND ALL BIDS. ALL BIDS BECOME THE PROPERTY OF BURLINGTON ELECTRIC DEPARTMENT

Paul Charbonneau

PURCHASING -- JEFF TURNER II

TO INQUIRE ON ABOVE QUOTE PLEASE CALL PURCHASING DEPARTMENT DIRECT AT:

PAUL CHARBONNEAU 865-7456
email: pcharbonneau@burlingtonelectric.com

REQUEST FOR PROPOSAL

The following is a minimum check list that must be included in the submittal of the above RFP.

If any of the information is missing it will make your RFP invalid and we will not be able to consider it for evaluation!!!

DID YOU INCLUDE THE FOLLOWING AT A MINIMUM ?

Unit Cost

Delivery time

No Load (avg) & (max)

Load (avg) & (max)

Total (avg) & (max)

Impedance (must be average values)

Is delivery included in the cost of the item? If not what is the cost for delivery
Drawings with dimension.

Did you quote both Amorphous core and Steel? If not why?

Include manufacturer information about corrosion protection (item 14e on material spec) and coating (item 5j on material spec).

All RFP's must be uploaded to our secure site using your unique login. We will only accept Word, Excel or PDF submissions. Once you have Uploaded your file you will get an email indicating that it was successful. All times are based on EST.

Paul Charbonneau

PURCHASING -- JEFF TURNER II

TO INQUIRE ON ABOVE QUOTE PLEASE CALL
PURCHASING DEPARTMENT DIRECT AT:

PAUL CHARBONNEAU 865-7456
email: pcharbonneau@burlingtonelectric.com



**BURLINGTON ELECTRIC DEPARTMENT (BED)
MATERIAL SPECIFICATION**

**Three Phase, Liquid Filled, Compartmental-Type, Dead Front, Loop
Padmounted Transformer (750 through 1,500 kVA)**

1) Scope:

- a) This specification covers the electrical characteristics and mechanical features of three phase, 60 Hz, mineral oil immersed, self-cooled, 65°C rise, padmounted, distribution transformers.
- b) All transformers shall be in accordance with the latest revision of each referenced industry standard (listed below), except as modified by this specification.

ANSI/IEEE C57.12.00 ANSI/IEEE C57.12.28 ANSI/IEEE C57.12.34
ANSI/IEEE C57.12.90 ANSI/IEEE C57.91 ANSI/IEEE 386
Western Underground Committee Guide 2.13

2) Ratings:

- a) The kVA rating shall be as specified on the purchase order.
- b) The nominal high voltage rating and the basic impulse insulation level (BIL) shall be the following:
13800 Grd Y/7970 95 kV BIL
- c) The nominal low voltage rating and the basic impulse insulation level shall be one of the following:

208 Grd Y/ 120 30 kV BIL
480 Grd Y/ 277 30 kV BIL

3) Impedance Voltage:

750 - 1,500 kVA 5.75%

4) Testing:

- a) All transformer testing shall comply with ANSI/IEEE C57.12.00 and ANSI/IEEE C57.12.90.
- b) All transformers shall be tested for no load losses (85°C), total losses (85°C), percent impedance (85°C) and exciting current (100% rated voltage). No load losses shall also be tested at 105% rated voltage.
- c) All transformers shall be subjected to a full wave voltage impulse.
- d) The manufacturer shall supply verification that the design has passed Short Circuit criteria per ANSI/IEEE C57.12.00 and ANSI/IEEE C57.12.90.
- e) Complete certified test reports, by serial number, shall be delivered to BED with the transformers. These reports must either be signed by an authorized individual at the factory, or be accompanied by a cover letter referring to purchase order number and signed by an agent authorized to conduct

transformer sales business for the manufacturer.

5) Construction:

- a) The manufacturer shall certify that the transformer and the oil are PCB free. This shall be indicated on the transformer nameplate.
- b) The nameplate shall be made of a corrosion resistant material and permanently marked meeting ANSI/IEEE C57.12.00. The nameplate shall be located in the low voltage compartment.
- c) All wye-wye transformers shall have a five-legged core.
- d) Wye primary-wye secondary connected units shall have the primary neutral connected (bolted) internally to the secondary neutral, which shall in turn be connected to an insulated low voltage terminal externally grounded by a ground strap to the tank front plate.
- e) All neutral connections shall be through fully insulated bushing(s) grounded to the transformer tank by removable ground strap(s).
- f) The internal secondary leads shall be permanently identified corresponding to the lead markings on the nameplate.
- g) All insulating components, oil, paper, and wire enamel shall be made of thermally upgraded material which are all compatible at today's industry standard 65 degree C temperature rise.
- h) All insulating paper used as layer insulation in transformer coils shall be bonded type, coated on both sides with a thermosetting adhesive and properly cured prior to impregnating with oil or the coils shall be wound with primary conductor containing a thermosetting adhesive that when properly cured will form an effective bond, both turn to turn and layer to layer.
- i) The transformer shall have an electrostatically applied (or equivalent process) protective coating. The coating shall be resistant to transformer oils and shall withstand a minimum 160 inch-pound impact per ASTM D2794. The coating shall meet or exceed all requirements of ANSI/IEEE C57.12.28. The color shall be olive green, Munsell No.7.0GY3.29/1.5.
- j) A hand hole (or hand holes) 6.0" x 18.0" minimum, with a bolted cover, shall be provided in the top of the tank to give access to the primary and secondary bushing well leads.
- k) Lifting lugs for a balanced lift and provisions for jacking shall be included.
- l) Construction of the unit shall be such that it can be lifted, skidded or slid into place on the pad without disturbing the high or low voltage cables.
- m) The overall dimensions of the unit shall be such that it will fit on a BED Standard 1622 concrete transformer pad (see attached drawing).

6) Electrical Compartments - General:

- a) Full height, air filled high voltage and low voltage compartments with hinged doors shall be located side by side and separated by a rigid steel barrier.

- b) The electrical compartment shall have a depth of 24" in place of ANSI/IEEE C57.12.34 Figure 12, dimension C of 18".
 - c) The high voltage compartment shall be on the left when facing the transformer.
 - d) The high voltage compartment shall be accessible only after the door to the low voltage compartment has been opened. The high voltage compartment door shall be secured by a stainless steel penta-head bolt fastening device.
 - e) The low voltage compartment door shall be equipped with three point latching and include provisions for locking with a single padlock. Compartment security shall include a recessed, stainless steel penta-head bolt, which is accessible only with the padlock removed.
 - f) The doors shall open to provide a clear working space. The doors, the compartment hood, and the sill shall be removable with minimal effort using standard line tools.
- 7) High Voltage Compartment:
- a) The high voltage terminations and equipment shall be dead-front and shall conform to all applicable ANSI/IEEE and IEEE standards.
 - b) The high voltage compartment of loop feed designs shall comply with Figure 16 of ANSI/IEEE C57.12.34, rated for 8.3 kV/14.4 kV.
 - c) Primary bushings shall be a two-piece design with universal bushing wells and load break bushing well inserts, rated for 8.3 kV/14.4 kV.
 - d) Bushing wells shall be externally clamped and field replaceable.
 - e) Bushing well studs shall be field replaceable.
 - f) Provisions for an insulated bushing (parking stand) shall be included for each bushing.
 - g) Six (6) 200 amp universal bushing wells (for loop feed) shall be provided.
 - h) All bushing well inserts shall be supplied by BED.
- 8) Low Voltage Compartment:
- a) The low voltage terminal arrangement shall comply with Figure 8(A) or 8(B) of ANSI/IEEE C57.12.34.
 - b) The low voltage bushings shall be molded epoxy (or approved equivalent).
 - c) The secondary terminals shall be externally removable NEMA standard ten (10) hole spades in accordance with the dimensions of Figure 19, of ANSI/IEEE C57.12.34. Spades shall be provided with additional support (bracing) against the weight of conductors. The bracing shall not interfere with the use of any of the holes in the spade.
- 9) Over-current Protection:
- a) Loadbreak, BAY-O-NET type, oil immersed fuses shall be provided in series with oil immersed, back-up current limiting fuses. The BAY-O-NET fuse elements shall be externally replaceable with

a distribution hot stick.

- b) The BAY-O-NET fuses shall be current sensing, RTE type 353C, or equal.
- c) The BAY-O-NET fuse size shall be per Table 5 of Cooper Power Systems publication 240-98.
- d) The BAY-O-NET fuses and fuse holders must be interchangeable with RTE brand components.
- e) The BAY-O-NET fuse assembly shall be equipped with a flapper valve to minimize oil spillage when the fuse is removed.
- f) The back-up current limiting fuses shall be RTE type ELSP, or equal.
- g) The back-up current limiting fuses shall be coordinated with the BAY-O-NET fuses, per Table 5 of Cooper Power Systems publication 240-98 and sized to melt only on internal transformer faults.
- h) The current limiting fuses shall be connected on the source side of the BAY-O-NET fuses.
- i) Oil drip shields shall be provided for each fuse holder.

10) Taps:

- a) Full capacity taps shall be provided in accordance with Section 4.3 of ANSI/IEEE C57.12.34. Center tap shall be our primary system voltage as specified in RFP. Taps shall be connected to the primary winding.
- b) The tap changer shall be for de-energized operation only. The tap changer shall be manually operable by means of a rotary dial (or switch) and shall have provisions for padlocking.
- c) Each tap changer position shall be labeled. The tap setting must be clearly visible upon opening the cabinet door.
- d) Transformer to be shipped in center tap position.

11) Primary loadbreak switches:

- a) If specified by BED, the transformer will be equipped with a primary loop feed switch and a primary radial switch.
- b) Each switch shall be three phase, two position (on/off), rated for 200 amps (continuous and loadbreak) and 15 kV phase to phase. The on and off positions shall be clearly labeled.
- c) The BAY-O-NET fuse holders shall be in series with the primary radial switch. When open, the primary radial switch will de-energize the fuses and the transformer windings.

12) The transformer shall be equipped with the following accessories:

- a) One inch diameter (minimum) oil fill plug and oil level plug.
- b) One inch diameter (minimum) drain valve and sampler in the high voltage compartment.
- c) Oil level gauge and dial type thermometer.

- d) An automatic pressure relief device designed to re-seal after operating.
- e) A means of manually venting tank pressure.
- f) ANSI/IEEE tank grounding provisions in each compartment.

13) Information to be provided with quotation:

- a) Outline drawing of a typical unit, including a one-line diagram of the transformer.
- b) Average percent positive impedance, X/R and percent exciting current.
- c) Average and guaranteed maximum Total Load Losses.
- d) Average and guaranteed maximum No Load Losses.
- e) A description of the method used to minimize tank corrosion (design details or type of treatment).
- f) Warranty information and location of the nearest service shop, owned and operated by the manufacturer, which is capable of repairing all components of the transformer.

14) Information to be provided with Shipment of Transformer:

- a) Manufacturer shall provide BED with the final X/R and percent positive impedance.

15) Exceptions:

Any exceptions to this specification shall be clearly documented when quoting. Exceptions must be specifically granted in writing by BED. Failure of BED to acknowledge exceptions when placing an order requires the manufacturer to comply with this specification if the order is accepted. Manufacturer shall not provide exception to the transformer impedance specified in part 3 of this specification.

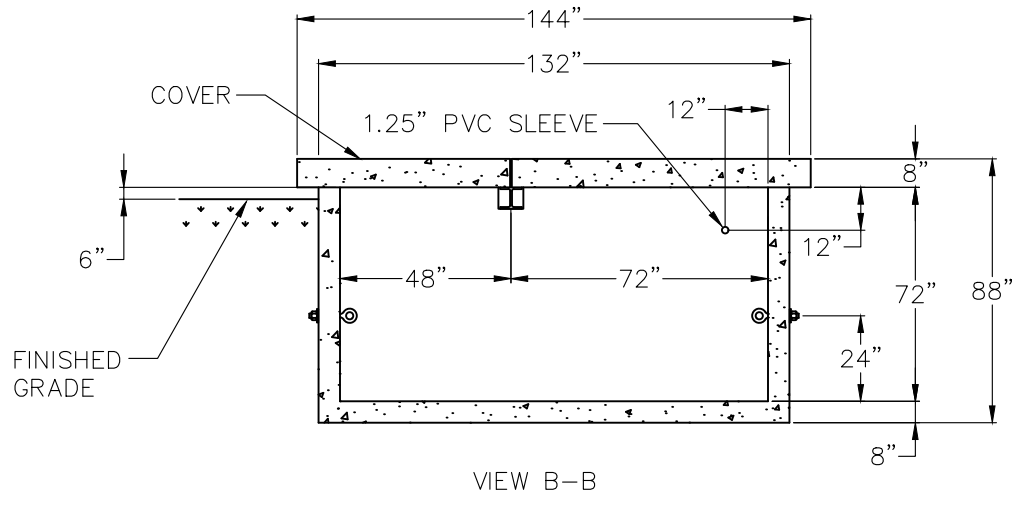
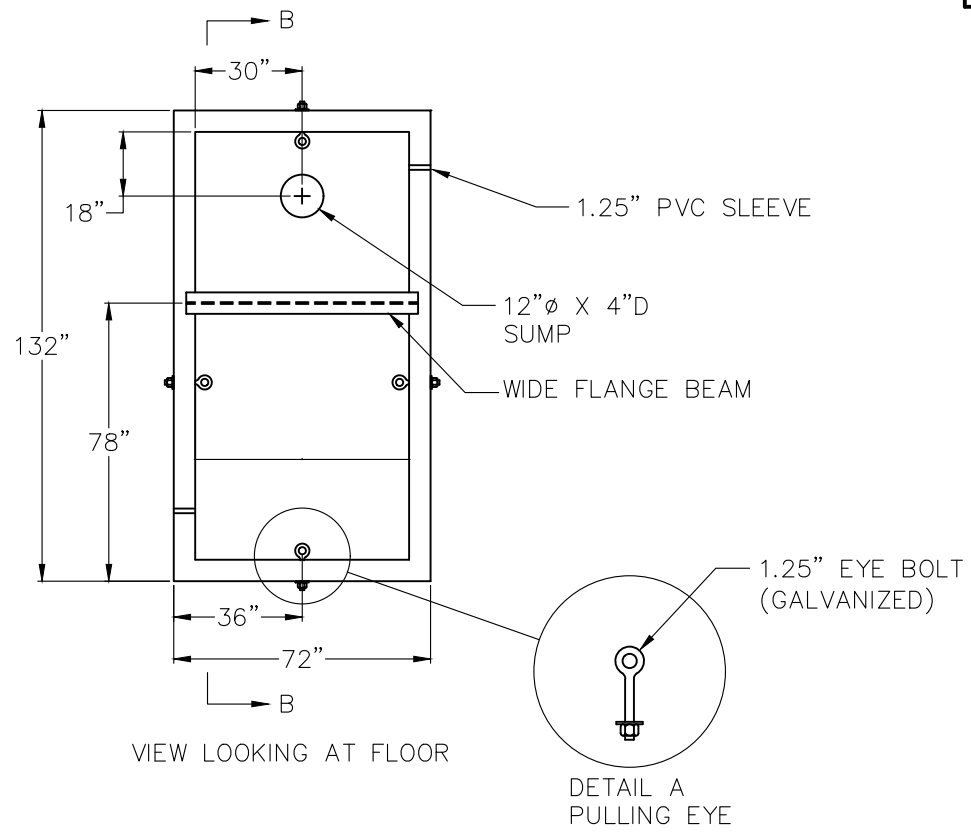
16) Approval of final drawings:

Manufacturer shall provide BED with final transformer drawings after P.O. is placed. Approval of final drawings by BED shall be required.

17) BED's loss evaluation formula applies to all bids.

18) Penalties:

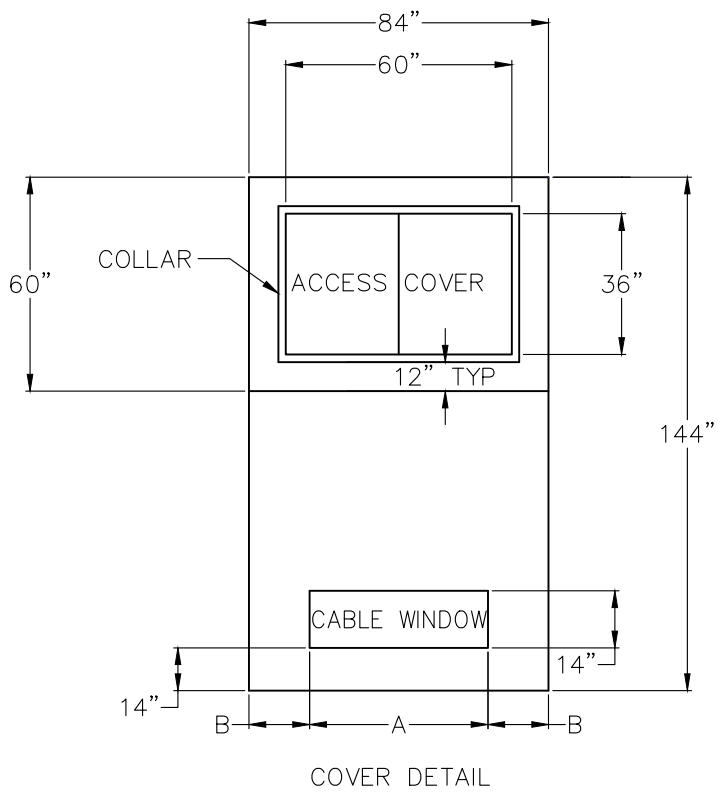
- a) Failure to meet quoted losses may result in a financial penalty being assessed the manufacturer. The penalty will be determined via BED's loss evaluation formula.



NOTES

1. PULLING EYE LOCATIONS SHOWN ARE TYPICAL LOCATIONS, FINAL LOCATION/AMOUNT TO BE DETERMINED BY BED ENGINEERING. MASTIC IS TO BE PLACED BETWEEN WASHER AND VAULT WALL TO PREVENT WATER SEEPAGE.

BURLINGTON ELECTRIC DEPT.	
DISTRIBUTION STANDARDS	
THREE Ø TRANSFORMER PAD	
DATE: 01/19/18	DWG. NO.: 162202
DWN BY: RG	APP. BY:
SCALE: NONE	SHEET 2 OF 2



WINDOW DIMENSION TABLE

		kVA	
		75 500	750 2500
A	48"	55"	
B	18"	14.5"	

NOTES

1. PAD AND WELL TO BE CONSTRUCTED TO MEET REQUIREMENTS OF LOADING SPECIFICATION H-20 AND SUPPORT A TRANSFORMER WEIGHT OF 16,000 LBS.
2. SECONDARY CONDUIT QUANTITY AND SIZE TO BE DETERMINED BY CUSTOMER BASED ON BED STANDARD 1603.
3. PRIMARY CONDUIT QUANTITY AND SIZE TO BE DETERMINED BY BED.
4. CONCRETE PAD SHALL HAVE A 3/4" CHAMFER ON ALL SIDES.
5. ACCESS COVER (36" X 60"), MEETING ANSI/SCTE 77-2007 TIER 22, TO BE PROVIDED BY BED.
6. STONE BASE FOR VAULT TO BE 12" OF 3/4" CRUSHED STONE.
7. FINAL VAULT DRAWINGS MUST BE APPROVED BY BED ENGINEERING.

BURLINGTON ELECTRIC DEPT.	
DISTRIBUTION STANDARDS	
THREE Ø TRANSFORMER CONCRETE PAD	

DATE: 10/16/14	DWG. NO.: 162201
DWN BY: RG	APP. BY:
SCALE: NONE	SHEET 1 OF 2